

# NTIV

## Pneumatic Double Acting

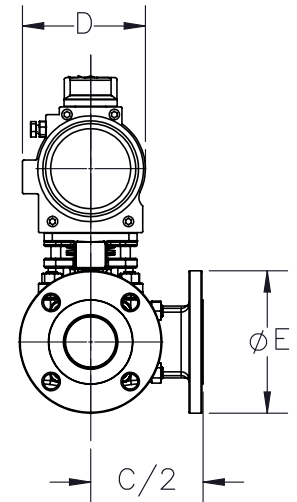
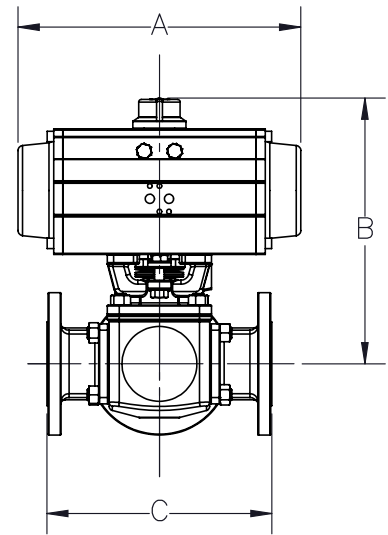
### Automated Ball Valve Package

### Series 31 3-Way Flanged Ball Valve

Sizes 2"-6"  
316SST or WCB  
ANSI Class 150  
Full Port Design  
2-pc Ball & Stem  
Blowout Proof Stem  
RTFE Seats Standard  
"L" or "T" Port Option  
Trunnion Ball Design  
ISO 5211 Actuator  
Mounting Pad



Flanged 3-Way



## Class 150 Double Acting Assembly DIMENSIONS (IN)

### STANDARDS

Design ANSI/ASME B16.34 Flanged  
Ends ANSI/ASME B16.5 Face-to-Face  
(per factory's standard)  
Pressure Testing API 598 Mounting  
ISO 5211  
Marking System for Valves MSS SP-25  
Material Certification EN 10204-3.1 MTR  
Quality Assurance ISO 9001:2015

VALVE SIZE	A	B	C	D	E
2"	276	263.6	219.9	122.6	152.4
2-1/2"	353	331.7	280.9	153.6	177.8
3"	385	361.1	284.9	169.9	190.5
4"	385	405.3	347.9	169.9	228
6"	576	514.8	480	213.8	279.4

DIMENSIONS SHOWN ARE FOR ASSEMBLIES SIZED FOR 80 PSI SUPPLY

Plot No.19C, Door No.2/184, Govindarajan Street, Ambal Nagar, Periyapanichery, Kundrathur Road,  
Chennai - 602 101, Cell: 94441 50328