

GATE , GLOBE & CHECK VALVES



ASME Class 150 - 2500
50mm - 400mm (2" - 16")

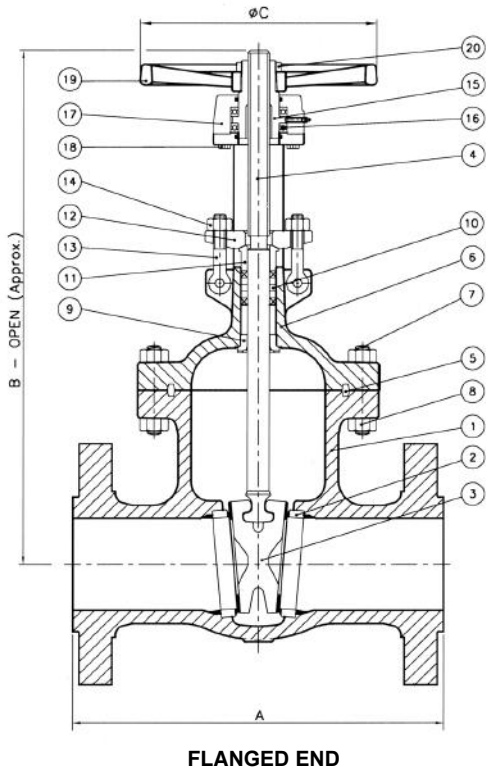
API 600 • BS 1873 • BS 1868
ASME B16.34

The logo for NTIV, featuring the letters 'NTIV' in a bold, blue, sans-serif font. A red, stylized flame or swoosh element is positioned above the 'I'.

GATE VALVES



Gate Valves - ASME Classes 150, 300 & 600



Standard Materials of Construction

Sl. No.	Description	Material
01	Body	ASTM A216 Gr. WCB
02	Body Seat Ring	ASTM A105 + HF*
03	Wedge	ASTM A216 Gr. WCB + 13% Cr. Steel
04	Stem	ASTM A182 Gr. F6a
05	Gasket - Cl.150 Gasket - Cl.300 & 600	ASTM A308 Spirally-wound SS 304 with graphite filler
06	Bonnet	ASTM A216 Gr. WCB
07	Stud	ASTM A193 Gr. B7
08	Stud Nut	ASTM A194 Gr. 2H
09	Back-seat Bush	13% Cr. Steel
10	Packing	Graphite with braided end rings
11	Gland	Steel
12	Gland Flange	ASTM A105 / ASTM A216 Gr. WCB
13	Eye Bolt	Cr. - Mo Steel
14	Eye Bolt Nut	ASTM A194 Gr. 2H
15	Groove Pin	Steel
16	Yoke Sleeve (Stem Nut)	ASTM A439 Type D2
17	Grease Fitting	Steel
18	Retainer Nut	Steel / Ductile Iron / Malleable Iron
19	Handwheel	Steel / Ductile Iron / Malleable Iron
20	Handwheel Nut	Steel / Ductile Iron / Malleable Iron
	Nameplate	SS 304

* HF - Hard-Faced with Stellite #6 or equivalent
For other body / bonnet materials, refer page 5

Dimensions (in mm, unless specified) & Weights (in kg)

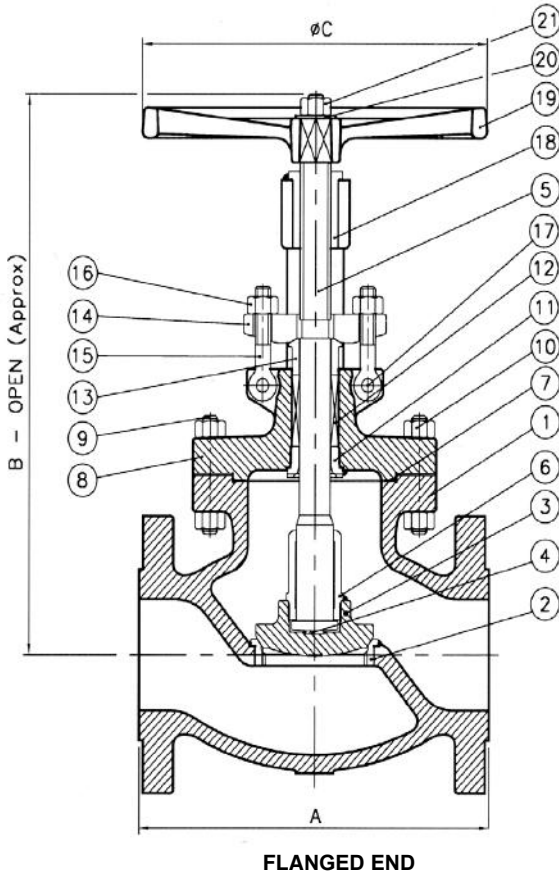
Valve Size	Class 150						Class 300						Class 600					
	A		B	C	Approx. Wt.		A		B	C	Approx. Wt.		A		B	C	Approx. Wt.	
	Fl.	B/W			Fl.	B/W	Fl.	B/W			Fl.	B/W	Fl.	B/W			Fl.	B/W
50 (2")	178	216	376	203	21	19	216	216	399	203	25	23	292	292	399	203	42	36
65 (2 1/2")	191	241	480	229	32	27	241	241	505	229	48	34					-	
80 (3")	203	283	480	229	35	27	283	283	505	229	53	41	356	356	541	254	67	63
100 (4")	229	305	584	254	53	43	305	305	604	254	78	55	432	432	635	305	119	112
125 (5")	254	381	750	254	75	64	381	381	850	356	135	105						-
150 (6")	267	403	790	305	87	77	403	403	850	356	158	111	559	559	874	457	252	225
200 (8")	292	419	996	356	139	118	419	419	1039	406	234	186	660	660	1044	457	418	365
250 (10")	330	457	1205	406	210	198	457	457	1265	457	355	284	787	787	1285	508	652	554
300 (12")	356	502	1410	457	302	271	502	502	1460	508	495	400	838	838	1476	610	1100	984
350 (14")	381	572	1539	508	410	365	572	572	1590	508	750	620	889	889	1565	610	1600	1465
400 (16")	406	610	1752	508	520	490	610	610	1791	610	958	850	991	991	2062	762	1955	1760

Plot No.19C. Door No.2/184, Govindarajan Street, Ambal Nagar, Periyapanichery, Kundrathur Road, Chennai - 600 128, Cell: 94441 50328

GLOBE VALVES



Globe Valves - ASME Class 150, 300 & 600



Standard Materials of Construction

Sl. No.	Description	Material
01	Body	ASTM A216 Gr. WCB
02	Body Seat Ring	ASTM A182 Gr. F6a+HF
03	Disc	ASTM A216 Gr. WCB + 13% Cr. Steel
04	Disc Washer	13% Cr. Steel
05	Stem	ASTM A182 Gr. F6a
06	Disc Stem Nut	13% Cr. Steel
07	Gasket	ASTM A308
08	Bonnet	ASTM A216 Gr. WCB
09	Stud	ASTM A193 Gr. B7
10	Stud Nut	ASTM A194 Gr. 2H
11	Back-seat Bush	13% Cr. Steel
12	Packing	Graphite with braided end rings
13	Gland	13% Cr. Steel
14	Gland Flange	ASTM A105 / ASTM A216 Gr. WCB
15	Eye Bolt	Cr. - Mo Steel
16	Eye Bolt Nut	ASTM A194 Gr. 2H
17	Groove Pin	Steel
18	Yoke Bush	ASTM A439 Type D2
19	Handwheel	Steel / Ductile Iron / Malleable Iron
20	Washer	Steel
21	Handwheel Nut	ASTM A563 Gr. B
	Nameplate	SS 304

* HF - Hard-Faced with Stellite #6 or equivalent
For other body / bonnet materials, refer page 5

Dimensions (in mm, unless specified) & Weights (in kg)

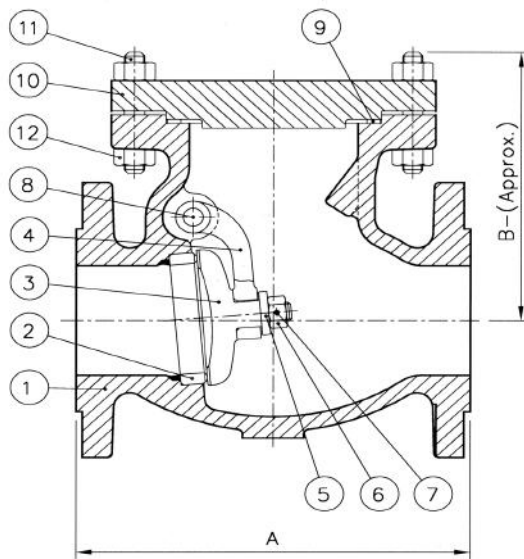
Valve Size	Class 150						Class 300						Class 600					
	A		B	C	Approx. Wt.		A		B	C	Approx. Wt.		A		B	C	Approx. Wt.	
	Fl.	B/W			Fl.	B/W	Fl.	B/W			Fl.	B/W	Fl.	B/W			Fl.	B/W
50 (2")	203	203	335	203	23	20	267	267	355	203	33	28	292	292	400	254	42	38
65 (2 1/2")	216	-	355	203	35	-	292	-	410	203	46	-	-	-	-	-	-	-
80 (3")	242	242	421	254	41	38	317	317	457	254	58	50	356	356	560	356	75	60
100 (4")	292	292	477	254	66	62	356	356	556	356	97	84	432	432	593	406	136	116
150 (6")	406	406	575	356	118	110	445	445	668	457	186	164	559	559	837	610	245	195
200 (8")	495	495	680	457	207	195	559	559	830	610	329	296	661	661	947	610	546	466
250 (10")	623	623	895	356	335	320	623	623	1206	610	520	471	787	787	1285	762	756	656
300 (12")	699	699	1215	610	495	470	711	711	1160	762	705	634	838	838	1560	762	1086	896

Fl. - Flanged

Plot No.19C. Door No.2/184, Govindarajan Street, Ambal Nagar, Periyapanichery, Kundrathur Road, Chennai - 600 128, Cell: 94441 50328

SWING CHECK VALVES

NTIV Swing Check Valves - ASME Class 150, 300 & 600



FLANGED END

Standard Materials of Construction

Sl. No.	Description	Material
01	Body	ASTM A216 Gr. WCB
02	Body Seat Ring	ASTM A105 + HF*
03	Disc	ASTM A216 Gr. WCB + 13% Cr. Steel
04	Hinge	ASTM A216 Gr. WCB
05	Disc Washer	13% Cr. Steel
06	Disc Nut	SS 304
07	Disc Nut Pin	13% Cr. Steel
08	Hinge Pin	13% Cr. Steel
09	Gasket	ASTM A308
10	Cover	ASTM A216 Gr. WCB
11	Stud	ASTM A193 Gr. B7
12	Stud Nut	ASTM A194 Gr. 2H
	Hinge Pin Cover	ASTM A105
	Hinge Pin Cover Bolt	ASTM A193 Gr. B7
	Nameplate	SS 304

* HF - Hard-Faced with Stellite #6 or equivalent
For other body / cover materials, refer page 5

Dimensions (in mm, unless specified) & Weights (in kg)

Valve Size	Class 150					Class 300					Class 600				
	A		B	Approx. Wt.		A		B	Approx. Wt.		A		B	Approx. Wt.	
	Fl.	B/W		Fl.	B/W	Fl.	B/W		Fl.	B/W	Fl.	B/W		Fl.	B/W
50 (2")	203	203	165	21	19	267	267	165	24	19	292	292	178	35	30
65 (2½")	216	216	175	24	20										-
80 (3")	241	241	181	34	30	317	317	190	45	36	356	356	203	55	46
100 (4")	292	292	213	49	42	356	356	229	70	56	432	432	229	92	70
150 (6")	356	356	273	88	79	444	444	279	151	129	559	559	365	204	161
200 (8")	495	495	335	168	154	533	533	343	242	210	661	661	442	323	260
250 (10")	622	622	406	280	260	622	622	368	333	284	787	787	450	550	455
300 (12")	698	698	483	413	382	711	711	412	450	378	838	838	590	790	680
350 (14")	788	788	515	509	466	839	839	559	659	556					-
400 (16")	864	864	455	580	524	864	864	636	873	747					-

Plot No.19C. Door No.2/184, Govindarajan Street, Ambal Nagar, Periyapanichery, Kundrathur Road, Chennai - 600 128, Cell: 94441 50328